



**THERE'S ALWAYS ROOM**

**FOR A COMFORTABLE SEAT**

# COMPACTO

*Compact Seats  
for Small Tractors*



**GRAMMER**



## OPTIMUM SEATING COMFORT IN A MINIMUM OF SPACE



### All Varieties of Comfort

In small tractor models such as vineyard vehicles and minidiggers, seat comfort often falls by the wayside. The Compacto series is tailor-made to solve this, with three cushion widths available. Despite their small dimensions, they boast all standard GRAMMER suspension, seat and operating features: 80 mm suspension travel, individual weight adjustment, and fore/aft suspension. And to round out the picture: All seats feature an adjustable backrest and mechanical lumbar supports. Additional sitting comfort is provided by optionally available integrated backrest extensions and armrests.

### The Simplest Solution is in the Air

The Compacto L series with vertical pneumatic suspension features a combined weight-height adjuster: an easy-to-read display lets you make sure that, whatever you weigh, suspension travel stays in the green zone. Seat adjustment is stepless, straightforward, and servo-supported – so you can count on sitting correctly, comfortably and safely, even on bumpy terrain. And it goes without saying that it's ergonomically designed, with comfy, hard-wearing seat covers.

### Optimum Sitting – the Mechanical Way

The Compacto M range has mechanical rather than pneumatic suspension, but still doesn't skimp on individually adjustable comfort. Simply turn a readily accessible knob to set the seat height to any of three different positions. It's also easy to adjust the weight while sitting, using the front-mounted lever. There's a clear display to let you check your position and ensure that you'll always have adequate suspension travel.

## COMPACTO XXL

- 1 Practical, attractive design.
- 2 Tapered seat back for greater freedom of movement.
- 3 Adjustable lumbar support – a feature that not only makes you feel comfortable, but also prevents damage to your spinal disks by optimally supporting your back.
- 4 Adjustable seatback angle.
- 5 Seatbelt (optional).
- 6 Pneumatic suspension with 80 mm travel.
- 7 Fore/aft adjustment over 180 mm range.
- 8 Stepless, servo-supported height adjustment, combined with weight adjustment.
- 9 Lockable fore/aft isolator for improved vibration absorption, especially for situations involving high speeds, auxiliary equipment, trailers or difficult terrain (optional).
- 10 Folding armrests (optional).
- 11 Adjustable seatback height (optional): The height adjusters of the integrated seatback extension can be extended or fully collapsed as required. This prevents back problems caused by bad posture, and keeps you relaxed during long stretches behind the wheel.

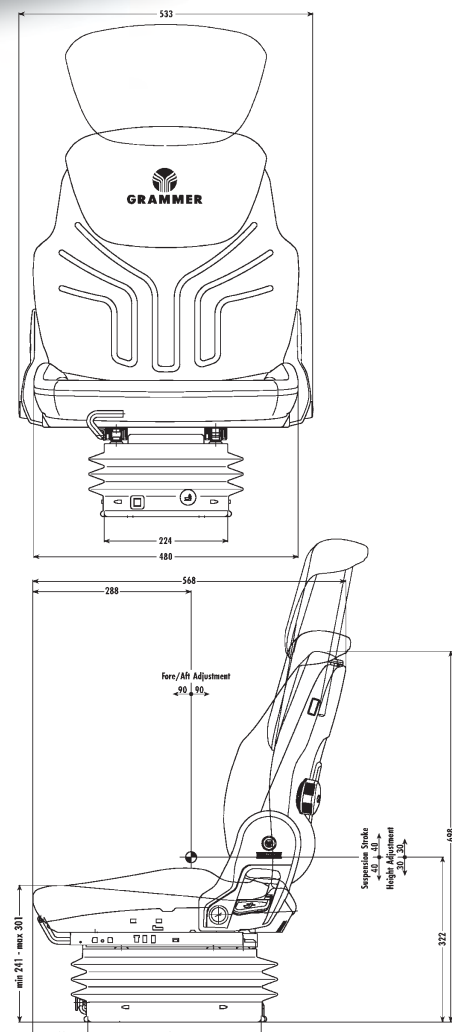


## COMPACTO XXL PNEUMATIC SUSPENSION

The photographs shown can differ from the serial models.

FEATURES	COMPACTO XXL	COMPACTO XL	COMPACTO L
Art. nos. for fabric	1047336	1081367	1081369
Art. nos. for imitation leather	1047335	1081366	1081368
<b>Suspension</b>			
Pneumatic suspension with 12V compressor	●	●	●
<b>Suspension travel</b>			
80 mm	●	●	●
<b>Weight adjustment</b>			
50-130 kg range (110-286 lbs)	●	●	●
<b>Height adjustment</b>			
60 mm stepless (pneumatic)	●	●	●
<b>Fore/aft adjustment</b>	●	●	●
<b>Fore/aft isolator</b>	●	○	○
<b>Lumbar support</b>			
Mechanical	●	●	●
<b>Adjustable seatback angle</b>	●	●	●
<b>Seatback extension</b>			
Attachable	○	○	○
<b>Seat width</b>	480 mm	450 mm	400 mm
<b>OPTIONAL FEATURES</b>			
<b>Armrests</b>			
65 mm x 270 mm	○	○	○
<b>Seatbelt</b>	○	○	○

● Standard ○ Optional



## COMPACTO XXL

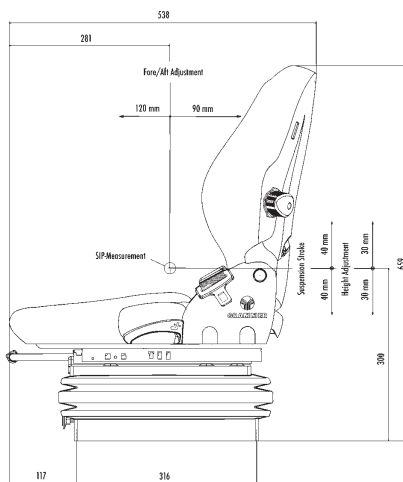
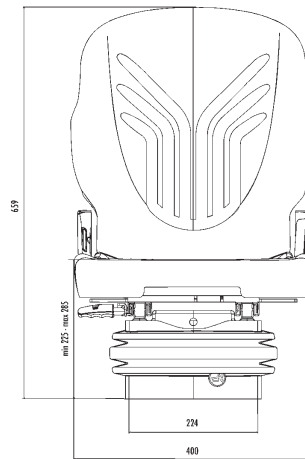
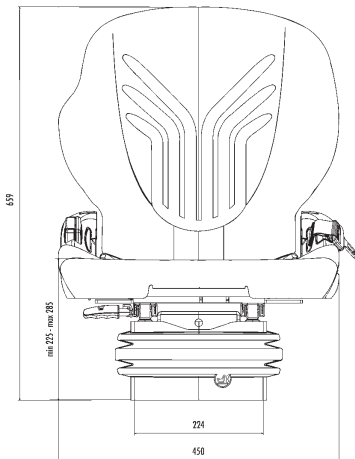
All measurements in figures in mm. We reserve the right to make technical and dimensional changes.



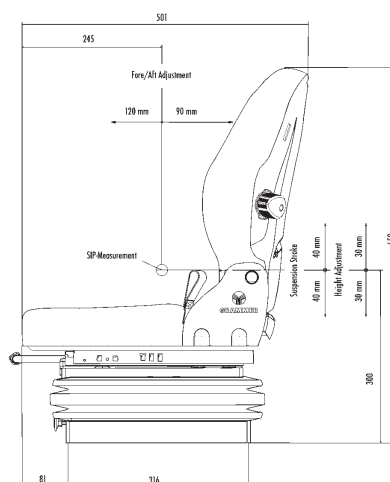
**COMPACTO XXL**

**COMPACTO XL**

**COMPACTO L**



**COMPACTO XL**



**COMPACTO L**

## COMPACTO XXM

- 1 Practical, attractive design.
- 2 Tapered seat back for greater freedom of movement.
- 3 Adjustable lumbar support – a feature that not only makes you feel comfortable, but also prevents damage to your spinal disks by optimally supporting your back.
- 4 Adjustable seatback angle.
- 5 Seatbelt (optional).
- 6 Mechanical suspension with 80 mm travel.
- 7 Fore/aft adjustment over 180 mm range.
- 8 Three-step adjustable height.
- 9 Lockable fore/aft isolator for improved vibration absorption, especially in situations involving high speeds, auxiliary equipment, trailers or difficult terrain (optional).
- 10 Adjustable weight.
- 11 Folding armrests (optional).
- 12 Adjustable seatback height (optional):  
The height adjusters of the integrated seatback extension can be extended or fully collapsed as required. This prevents back problems caused by bad posture, and keeps you relaxed during long stretches behind the wheel.



## COMPACTO XXM MECHANICAL SUSPENSION

The photographs shown can differ from the serial models.

COMPACTO FEATURES	COMPACTO XXM	COMPACTO XM	COMPACTO M
Art. nos. for fabric	1047332	1081363	1081365
Art. nos. for imitation leather	1047331	1081362	1081364
<b>Suspension</b>			
Mechanical suspension	●	●	●
<b>Suspension travel</b>			
80 mm	●	●	●
<b>Weight adjustment</b>			
50-130 kg range (110-286 lbs)	●	●	●
<b>Height adjustment</b>			
60 mm range, 3-step (mechanical)	●	●	●
<b>Fore/aft adjustment</b>	●	●	●
<b>Lumbar support</b>			
Mechanical	●	●	●
<b>Adjustable seatback angle</b>	●	●	●
<b>Seatback extension</b>			
Attachable	○	○	○
<b>Seat width</b>	480 mm	450 mm	400 mm
<b>OPTIONAL FEATURES</b>			
<b>Armrests</b>			
65 mm x 270 mm	○	○	○
<b>Lateral suspension</b>	○	○	○
<b>Seatbelt</b>	○	○	○

● Standard ○ Optional

**The dimensions of the pneumatic and mechanical COMPACTO models are identical.**

**Seating systems that keep you fit:  
GRAMMER offers state-of-the-art  
products for all mobile work-  
places - from tractors, construction  
machines, and forklift trucks all  
the way to trucks, buses, vans,  
and trains. Ergonomically de-  
signed, they set new standards  
of sitting comfort and operating  
convenience. Just ask us - we'll be  
happy to personally advise you.**



**GRAMMER**

**GRAMMER AG** Seating Systems • P.O. Box 14 54 • 92204 Amberg, Germany

Phone: +49 (0) 96 21/8 80-8 70 • Fax: +49 (0) 96 21/8 80-8 80 • [GrammerHandel@grammer.com](mailto:GrammerHandel@grammer.com) • [www.grammer.com](http://www.grammer.com)