



**THE RIGHT SEAT MAKES
TOUGH JOBS EASIER.**

ACTIMO

*High-Comfort Seat for
Large Construction Machinery.*



GRAMMER



PERFECT SUPPORT FOR TOP PERFORMANCE.



Even The Most Powerful Machine Is Only as Good As Its Operator.

The low-frequency suspension of the Actimo XXL is designed to compensate for vibrations in construction machines: Vertical vibrations and jolts are minimized by the seat's low natural frequencies, preventing the buildup of violent rocking. This makes it comfortable to use so you can work in a relaxed, stress-free manner without tiring. The strain on your back is noticeably reduced, benefiting both your health and fitness in the long run.

If You Spend All Day in the Driving Seat, You Need the Best.

The Actimo provides the ultimate in operator comfort to help you perform your best all through the working day. The extra-high, deeply molded seatback has side extensions for maximum back and lateral support. The headrest comes with adjustable height and tilt, while the pneumatic lumbar support and variable seat height and angle give you optimum flexibility and help keep you alert and full of energy. The climate system has an activated carbon layer to make sure you stay pleasantly cool and dry and are less likely to catch a chill.

Easy to Use for Greater Comfort.

Actimo seats are easy to use. The adjustment controls are optimally placed right where you expect them to be, and are shaped so you'll intuitively move them in the right direction. You'll quickly and easily achieve the best sitting position for your body and to meet the requirements of your job.



High Seatback and Adjustable Headrest

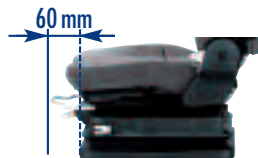
Stay relaxed when you drive, with optimum back and side support: the high seatback is fitted with ergonomically molded cushions and extended sides for extra comfort. The optional headrest can be quickly and easily adjusted to suit every job and operator size, over a 100 mm height range and 38° angle.



Climate System

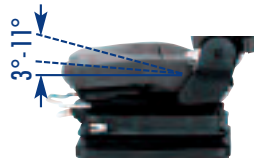
The perfect working climate is built in as a standard feature. This clever climate system really comes into its own during long stretches behind the wheel. Perspiration passes through the seat lining and is stored in an activated carbon layer underneath. Leaving the seat releases the moisture into the air. You stay pleasantly cool and dry, are less likely to catch a chill, and perform better.

ACTIMO XXL. MANY OUTSTANDIN



Variable Seat Length

Adjustable in 5 steps to optimally support thighs of different lengths.



Flexible Seat Angle

Reduce the pressure on the backs of your knees. The stepped seat adjuster gives you 3° - 11° tilt so you can vary the angle to obtain the best posture for each work situation.

Adjustable Shock Absorber

Can be adjusted to provide soft or harder shock absorption, to suit different job conditions.

APS Lever for Automatic Positioning System.

80 mm Height Adjustment

The ideal seat position for every body size.



Low-Frequency Suspension

For extremely comfortable sitting. Pneumatic low-frequency suspension with compressor: an innovative solution that absorbs jolts and vibrations more effectively, giving you a relaxed, stress-free ride, particularly at high speeds. Increased comfort, plus increased protection for your spine.

New Cover Design

Attractive and robust.

Seat Heating (optional)

A welcome addition for cold days – so you stay warm and well.

G DETAILS

ADD U



Illustration may deviate from series



Document Box

Pneumatic Lumbar Support

Back care at the touch of a button. The pneumatic lumbar support molds itself to your back, quickly and exactly – making you feel comfortable, while also preventing damage to your spinal disks by providing optimum lumbar support.



Foldable Armrests

Adjustable height and angle.

UP TO COMFORTABLE SITTING.

80° Adjustable Seatback

If cab space allows, the seatback can be reclined backward in small steps up to a maximum of 80° – making it ideal for rest breaks. The seatback can also be folded forward right onto the seat cushion.



170 mm

Fore/Aft Adjustment

For straightforward seat positioning in the vehicle.

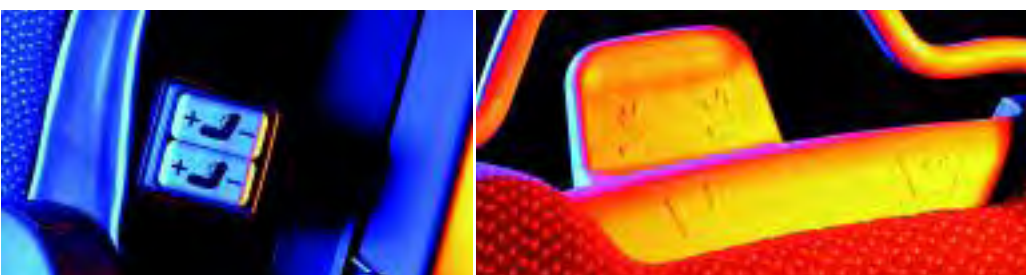
Fore/Aft Isolator

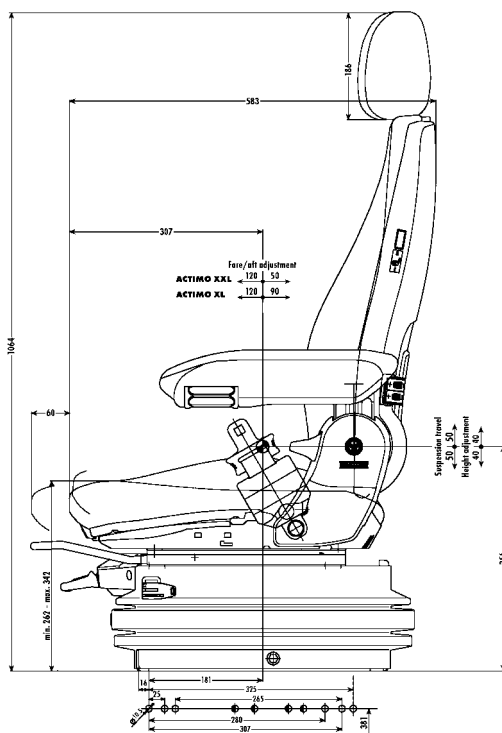
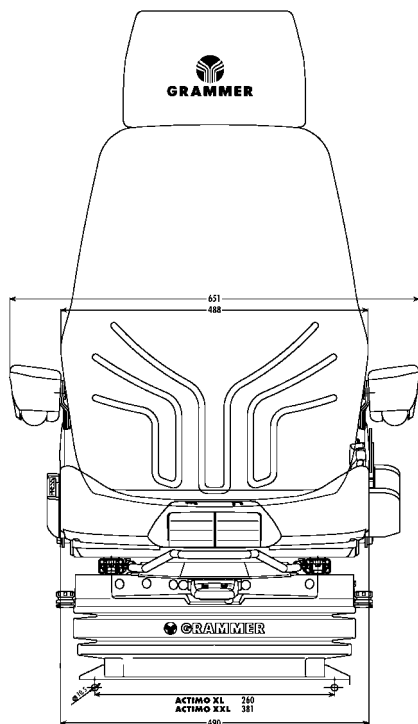
Reduces horizontal vibration in the direction of travel, for a more comfortable ride on tough terrain.

Highly Robust Suspension

The Actimo's wide crossbar suspension is designed to handle extreme stresses and provide support for heavy multifunctional armrests and control lever boxes. This gives you excellent suspension even with off-center loads, combined with outstanding stability and a long, reliable service life.

All controls are located in easy-to-reach places and designed so you'll intuitively move them in the right direction.



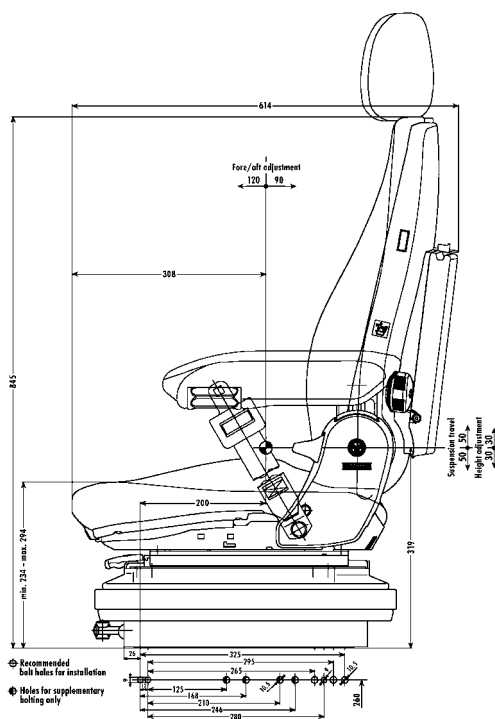
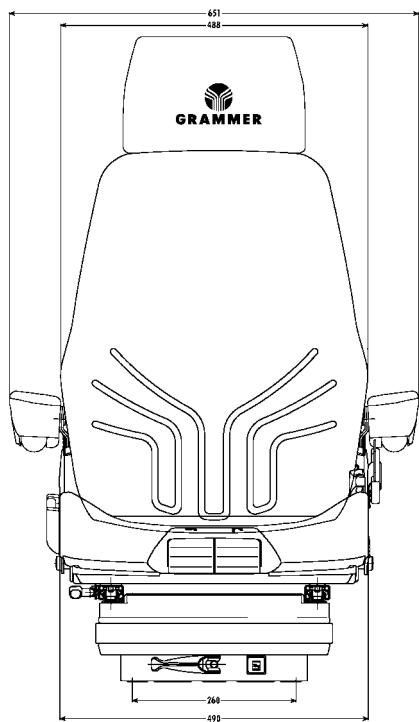


Pneumatic

THERE'S ALWAYS ROOM FOR ACTIMO.

Mechanical

ACTIMO M



FRONT VIEW

SIDE VIEW



Actimo XXL



Actimo XL



Actimo M

ACTIMO XXL

Illustration may deviate from series.

Actimo: The Facts Speak for Themselves.

With or without control lever mount, both Actimo models have a great deal to offer: automatic Positioning System (APS), adjustable shock absorbers, low-frequency suspension with 100 mm travel, climate system, 80 mm stepless pneumatic height adjustment, 170 mm fore/aft adjustment, pneumatic lumbar support, seatback angle variable by up to 80°, and adjustable seat height and angle. Optional features include armrests, lap belt, headrest and seat heating.

STANDARD FEATURES	Actimo XXL	Actimo XXL	Actimo XL	Actimo XL	Actimo M	Actimo M
Article Number	1050365	1050366	141428	1023117	143733	143734
APS (Automatic Positioning System)	●	●	●	●		
Cover Material						
Fabric	●	●	●	●	●	
Imitation leather, black	○	○	○	○		●
Shock absorber adjustable	●	●	●	●		
Nonadjustable					●	●
Suspension						
Air suspension with 12V compressor	●		●			
Air suspension with 24V compressor		●		●		
Mechanical suspension					●	●
Low-frequency suspension	●	●				
Extra-wide, ruggedised suspension	●	●				
Suspension travel						
100 mm	●	●	●	●	●	●
Climate system, passiv	●	●	●	●		
Height adjustment						
80 mm stepless (pneumatic)	●	●	●	●		
60 mm 3-step (mechanical)					●	●
Fore/aft adjustment						
210 mm			●	●	●	●
170 mm	●	●				
Fore/aft isolator	●	●	●	●		
Lumbar support						
Pneumatic	●	●	●	●		
Mechanical					●	●
Seatback angle adjustment	●	●	●	●	●	●
Seatcushion length and angle adjustment	●	●	●	●	●	●
Seat width 490 mm	●	●	●	●	●	●
Optional Features						
Document Box	○	○	○	○	○	○
Armrests height adjustable, folding						
F 65 mm x 270 mm	○	○	○	○	○	○
A 80 mm x 380 mm, adjustable angle	○	○	○	○	○	○
Operator restraint system	○	○	○	○	○	○
Head restraint	○	○	○	○	○	○
Extra-wide seat cushion 550 mm	○	○	○	○	○	○
Seat heating	○	○	○	○	○	○
Seat switch	○	○	○	○	○	○
Control lever mount boxes	○	○	○	○	○	○

● Standard ○ Optional

Errors excepted. Specifications are subject to change without notice.

**Seating systems that keep you fit:
GRAMMER offers state-of-the-art
products for all mobile work-
places - from tractors, construction
machines, and forklift trucks all
the way to trucks, buses, vans,
and trains. Ergonomically de-
signed, they set new standards
of sitting comfort and operating
convenience. Just ask us - we'll be
happy to personally advise you.**

