

KAB//Seating

500 Series



KAB 514C

KAB AIR 554C



ENTER THE COMFORT ZONE

www.kabseating.com

KAB // Seating

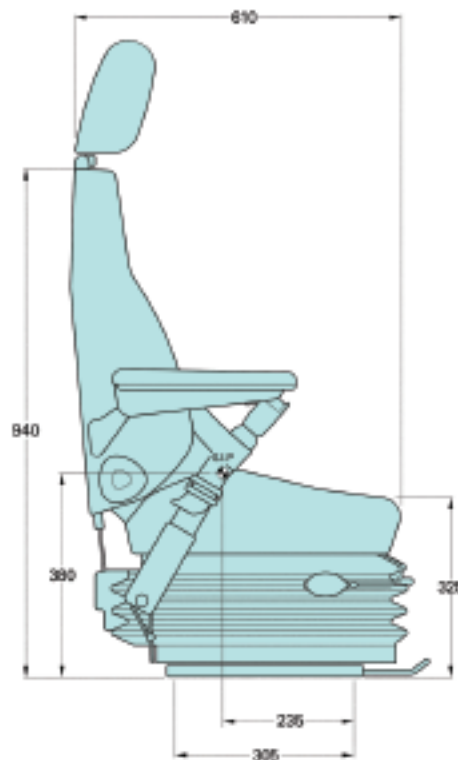
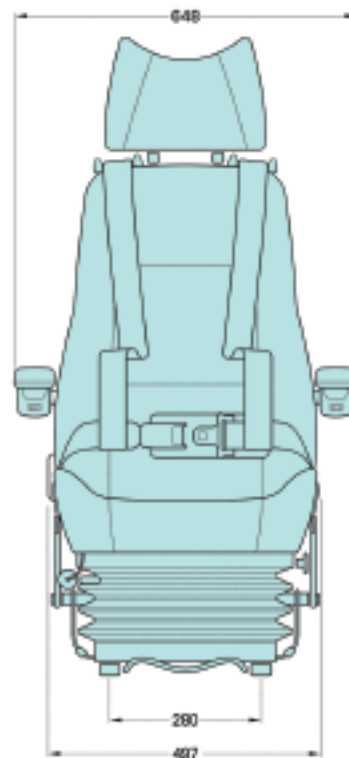
500 Series

Air and mechanical suspension seating for the construction and marine sectors

Features	AIR 554C	514C	524C
Air suspension (Manual Air Valve)	●		
Air suspension with 12v or 24v integral compressors	●		
Mechanical suspension		● 2 Springs	● 4 Springs
Vertical suspension stroke	● 125mm (5")	● 100mm (4")	● 100" (4")
60mm height and tilt adjustment	●	●	●
Driver weight adjustment	50-150 (110-330lbs)	50-120 (110-265lbs)	80-150 (175-330lbs)
Suspension cover	●	●	●
Air lumbar	●	●	●
Fore and aft adjustment of 180mm (7")	●	●	●
Backrest angle adjustment	●	●	●
Double locking heavy duty slide rails	●	●	●
Vibration performance to ISO 7096	●	●	●
Integrated full harness seat belt (4 point)	●	●	●
Adjustable armrests (50/70/80/100mm widths) (2", 2¾", 3¼", 4")	○	○	○
Adjustable headrest	○	○	○
Cushion heaters	○	○	○
Adjustable damper	○	○	○
Double dampers	○	○	○
Seat sensor switch	○	○	○
Turntable 0° - 180°	○	○	○
Front or side controls available	○	○	○
Range of fabrics and PVC	○	○	○

● Standard ○ Optional

The 524C is used by the RNLI for lifeboats



- SIP to ISO 5353.
- Dimensions at mid suspension stroke, middle height adjustment and at mid sliderail adjustment.
- Indicative dimensions
- Air 554C shown

Distributor



Thomas Scott (Seating)

79 Eastmuir Street, Annick Industrial Estate, Glasgow, U.K. G32 OHS
 Tel:- +44-(0)141-763-2120 Fax:- +44-(0)141-763-2144
 E-Mail:- info@drivers-seats.com Web:- www.drivers-seats.com

These models are just part of the extensive 500 series range. Other high back, low back and narrower seats are also available.

For further details contact your local KAB office.